



عمران مدرن
بازار نوین ارتباطات ساختمانی

نصب آسانسور و تهیه کلیه قطعات

سراسر کشور



با قیمت استثنایی و اکیپ متخصص

برای مشاوره رایگان تماس بگیرید

02162999675

Features 产品特性

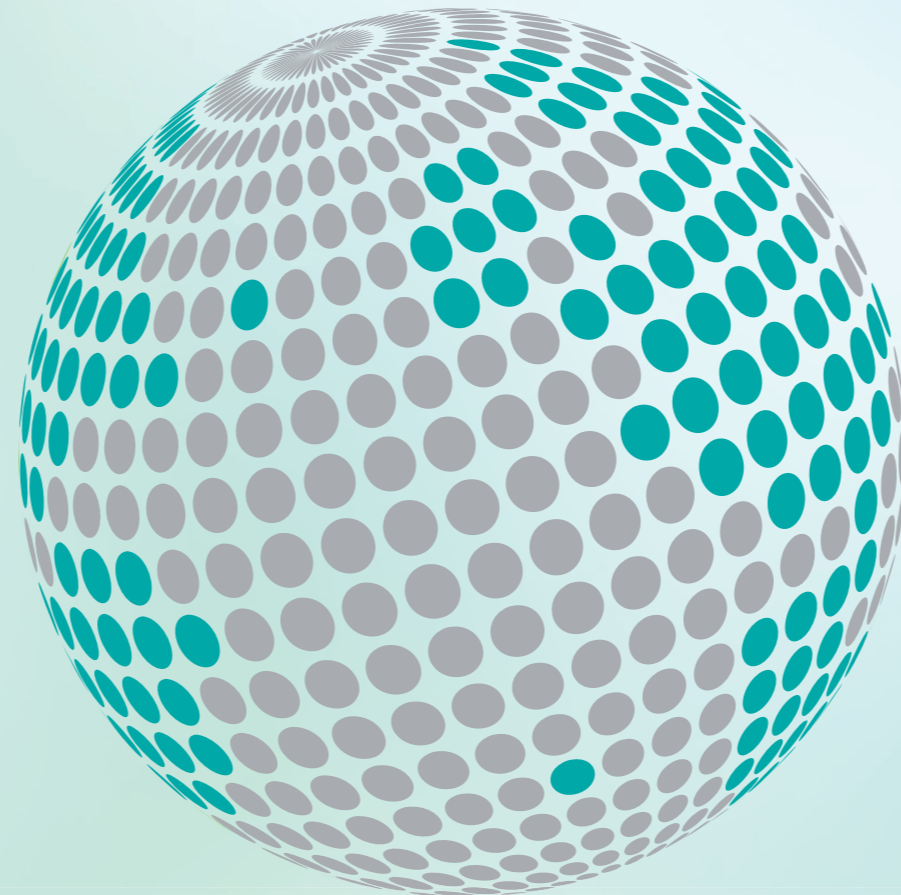
Special housing design provides stable and high structural rigidity. Design is verified FEM and physical mechanical test.	特殊的机座结构设计，曳引轮悬臂更短，结构刚度高，可靠稳定。设计方案经过有限元分析，具有高安全系数。
Designed by outer rotor. Possible to generate bigger torque with low noise and vibration. Provides comfortable ride.	电梯采用外转子结构；噪音低，振动小，运行平稳舒适
Solid construction for permissible shaft load Fs at the traction sheave up to 35kN	结构紧凑，性能稳定，最大轴载荷 35kN
Safety brake system with electro-magnetical release, provides min. 2x950Nm	电磁式块式制动器，提供 2x950Nm 的制动力矩
CTE test approved according to GB7588 and TSG T7007	型式试验满足 GB7588 要求，按 TSG T7007 标准测试
Groove profiles according to lift system	根据电梯曳引系统设计绳槽
Perfect rated motor, use of high - performance permanent magnet, degree of protection IP40, insulation class 155 C (F), temperature control	使用高效永磁，防护等级 IP40，绝缘等级 155 C (F)，带温度报警
Motor with 2 times overload capacity ; max. travelling height up to 120m	两倍过载能力；推荐提升高度 120m
EC type-examination certificate according to EN 81-20/50, can be used for UCM solution	满足 EN81-20/50 的 CE 证书，可以用作防轿厢意外移动(UCM)的解决方案
Inverter compatible measuring device, rigid coupling or intergrated. (e.g. ECN 1313; ERN 1387; TS5213N2503; EI53C9.25-2048-SA5N2T)	适用于变频器控制，带编码器测量，如 ECN 1313; ERN 1387; TS5213N2503; EI53C9.25-2048-SA5N2T
Variable options regarding voltage, speed, torque, braking torque and traction sheave parameters	经济节能，不同规格使用不同的电压，电流，转矩，制动力矩
The braker passed 2 million times braking. After the test, its performance is still in specification. Safety is guaranteed.	制动器经历 200 万次以上的动作测试，安全可靠

Content of supply 供货内容

- * Gearless synchronous external rotor drive with
Traction sheave
Braking system
Measuring and feedback system (encoder)
 - * Mechanical evacuation system (option)
 - * Manual release device for brake (option)
 - * Remotely controlled bowden cable for brake (option)
 - * Connection cable for encoder (option)
 - * All technical documents necessary for approval and detail operation manual
- * 永磁同步外转子电机，包括：
曳引轮
制动器
测量反馈系统(编码器)
 - * 盘车装置(选项)
 - * 手动松闸装置(选项)
 - * 远程松闸装置(选项)
 - * 编码器连接线(选项)
 - * 所有的必要的技术文件以及详细的操作手册



提供电梯部件、模块和系统的全球合作伙伴



safety in motion™

www.wittur.com

SELECOM
a WITTUR brand

Liftmaterial
a WITTUR brand

sematic
a WITTUR brand



登录威特集团网站
获取更多信息

威特电梯部件（苏州）有限公司 地址：中国江苏省吴江汾湖经济开发区库场路18号 215214 电话：+86-512-82072888 传真：+86-512-63220444 电邮：info.cn@wittur.com D:\WSG09-19-04\18

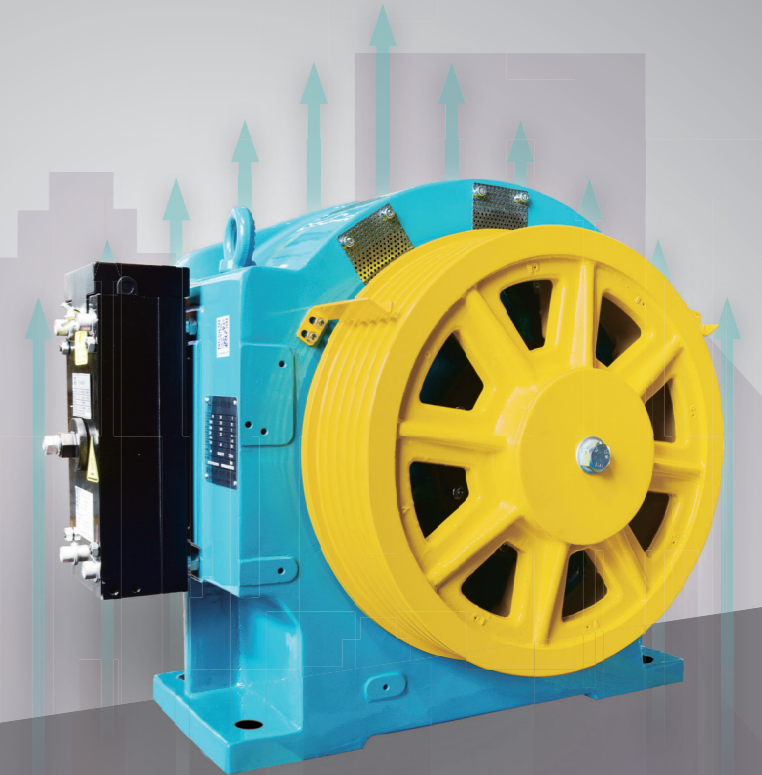
safety in motion™

www.wittur.com

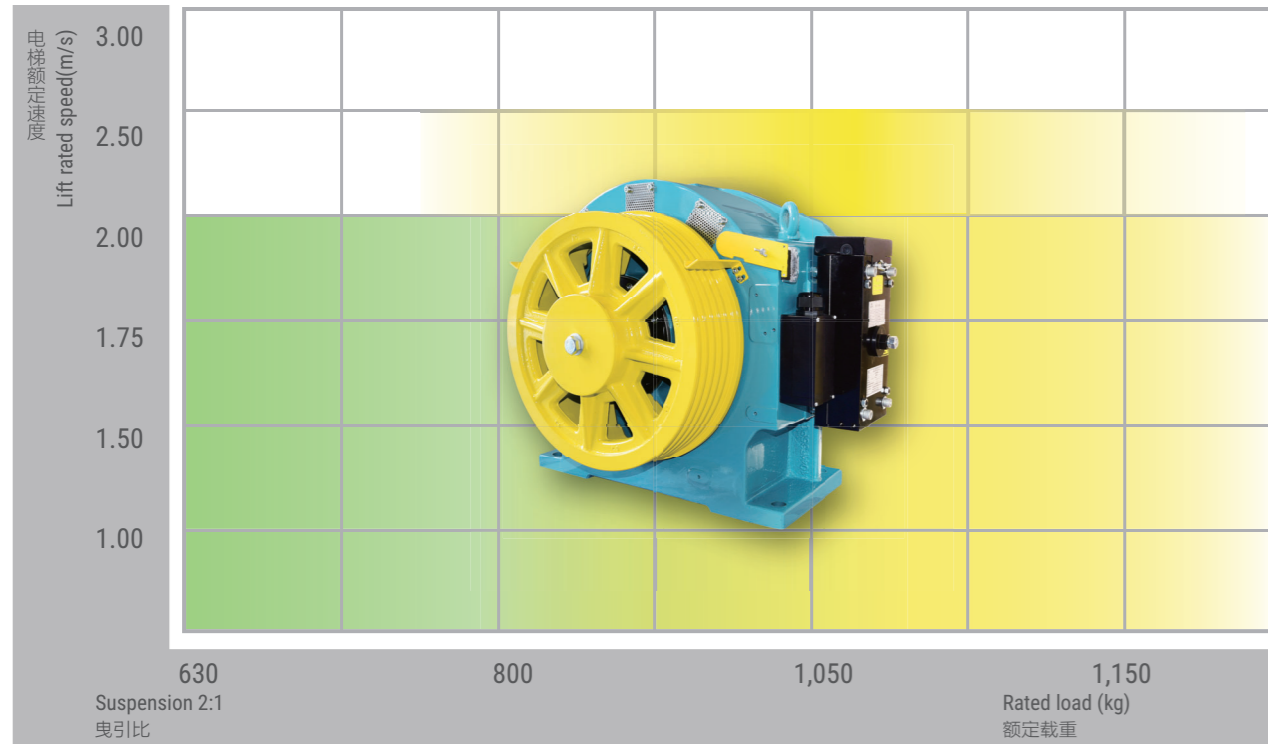


WSG-09

GEARLESS SYNCHRONOUS TRACTION MACHINE
无齿轮同步曳引机



Product range WSG-09 series WSG-09系列产品覆盖范围

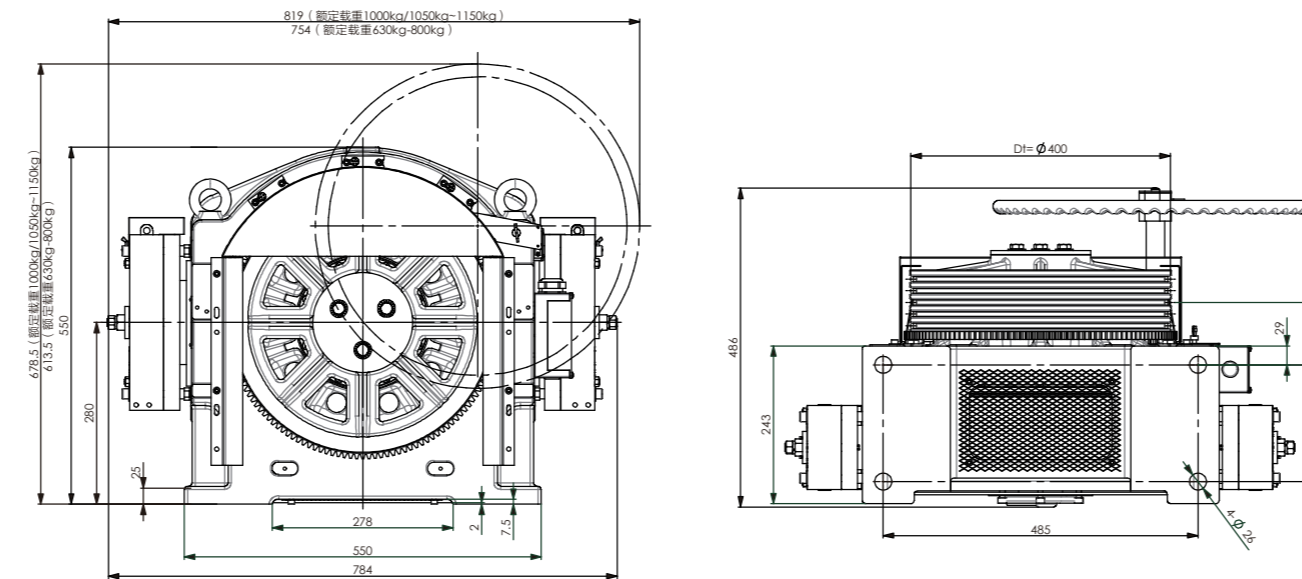


WSG-09 SERIES						
630-1150KG						
Rated loads up to (kg) 最大额定载重	630	800	1000/1050	1150	800	1000/1050
Rated torque(N.m) 额定转矩	420	535	670	740	600	740
Traction sheave Φ (mm) 曳引轮直径	400	400	400	400	450	450
Rated speed (m/s) 额定速度	1.0 ... 2.0		1.0 ... 2.5			
Shaft load (kN) 轴负荷	35kN					
CTE test CTE型式试验	Y					
Motor Type 电机类型	Gearless PM synchronous 永磁同步					
* Net weight (kg) 净重	330	330	340	350	345	355
MRL solution 无机房方案	Applied 适用					
Installation 安装方式	ONLY vertical installation in machine room or top of the shaft 仅在井道顶部或机房垂直安装					

*The mechanical evacuation system isn't included, when we measure its weight and thickness.
计算重量和厚度尺寸时, 未包括盘车齿轮等应急疏散设备。

630-1150KG(Dt=Ø400mm)

Fixing dimension 安装尺寸图



Technical data for traction machine 曳引机技术参数

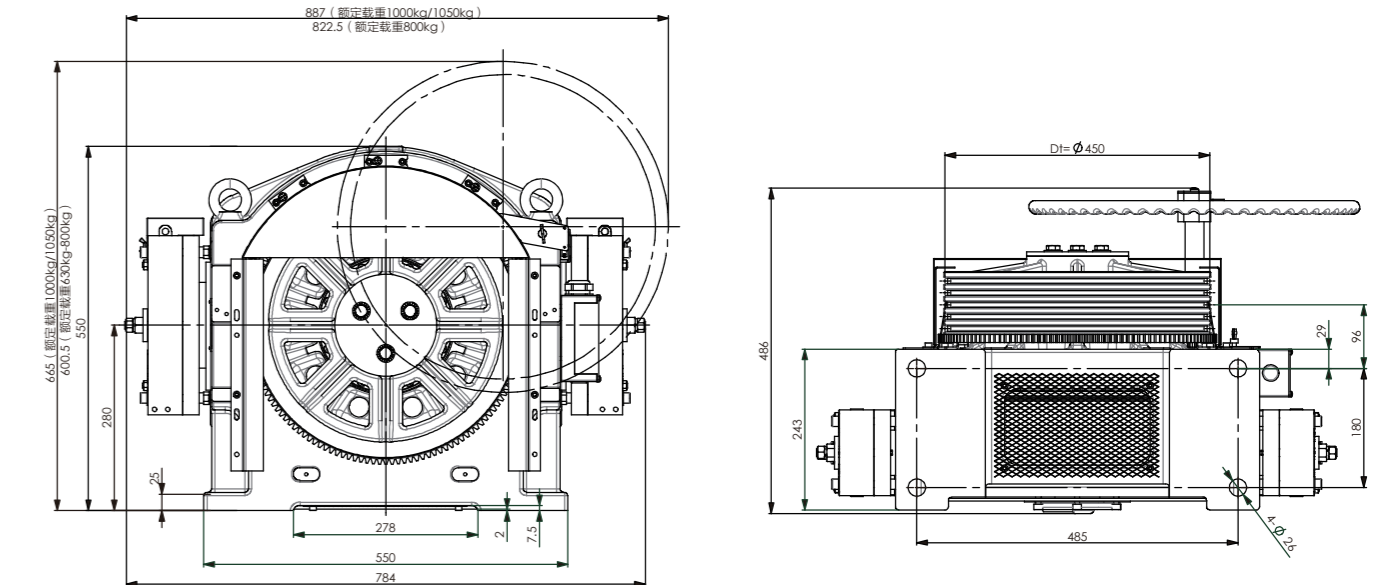
Motor Type 电机型号	Synchronous/同步		32-pole/32极																			
	WSG-09																					
Rated Torque/额定转矩 S3-40%, 240st/h	MN (N.m)	420	535	670	740																	
Sheave 曳引轮	ØDt (mm)	400	400	400	400																	
Loads 额定载重	Q (kg)	630	800	1000/1050	1150																	
Suspension 曳引比	2:1																					
Groove profile (N x ØD-P) 曳引绳槽	5xØ10-18/6xØ10-15/5xØ10-16/4xØ10-12, γ=25°/30°/35°; β=90°/95°/96° or see order form 或参见订单																					
Motor current applicable to 500-620V d.c. link voltage DC500-620V 适用于变频器 母线电压 DC 500-600V	V (m/s)	P _N [rpm]	P _N [KW]	I _N [A]	U _N [V]	F _N [Hz]	P _N [rpm]	P _N [KW]	I _N [A]	U _N [V]	F _N [Hz]	P _N [rpm]	P _N [KW]	I _N [A]	U _N [V]	F _N [Hz]						
																	1.0	95	4.2	11.2	380	25.3
		1.5	143	6.3	15	380	38.1	143	8.0	19	380	38.1	143	10	23.6	380	38.1	143	11.2	25	380	38.1
		1.6	153	6.7	15.4	380	40.8	153	8.6	19.6	380	40.8	153	10.7	25.3	380	40.8	153	12	27	380	40.8
		1.75	167	7.4	16.9	380	44.5	167	9.4	21.4	380	44.5	167	11.7	27	380	44.5	167	13.2	28	380	44.5
		2.0	191	8.4	18.9	380	50.9	191	10.7	24	380	50.9	191	13.4	30.5	380	50.9	191	15	32	380	50.9
		2.5	-	-	-	-	-	240	13.4	30.5	380	64.0	240	16.7	34	380	64.0	240	18.6	39	380	64.0

Technical data for Brake 制动器技术参数

Motor Type 电机型号	Brake Type 制动器型号	Certificate Type 证书类型	Pull in Voltage 吸合电压 (V)	Holding Voltage 保持电压 (V)	Rate Current 额定电流 (A)	Brake Torque 制动力矩 (Nm)
WSG-09	WB4600B	CTE/CE	DC 110	DC 110	2x1.22	≥2x950

800-1050KG(Dt=Ø450mm)

Fixing dimension 安装尺寸图



Technical data for traction machine 曳引机技术参数

Motor Type 电机型号	Synchronous/同步		32-pole/32极									
	WSG-09											
Rated Torque/额定转矩 S3-40%, 240st/h	MN (N.m)	600		740								
Sheave 曳引轮	ØDt (mm)	450		450								
Loads 额定载重	Q (kg)	800		1000/1050								
Suspension 曳引比	2:1											
Groove profile (N x ØD-P) 曳引绳槽	5xØ10-18/6xØ10-15/5xØ10-16/4xØ10-12, γ=25°/30°/35°; β=90°/95°/96° or see order form 或参见订单											
Motor current applicable to 500-620V d.c. link voltage DC500-620V 适用于变频器 母线电压 DC 500-600V	V (m/s)	P _N [rpm]	P _N [KW]	I _N [A]	U _N [V]	F _N [Hz]	P _N [rpm]	P _N [KW]	I _N [A]	U _N [V]	F _N [Hz]	
												1.0
		1.5	127	8	18	380	33.9	127	10	22	380	33.9
		1.6	136	8.6	19	380	36.3	136	10.7	23.3	380	36.3
		1.75	149	9.4	20	380	39.7	149	11.7	25	380	39.7
		2.0	170	10.7	23	380	45.3	170	13.4	28	380	45.3
		2.5	212	13.4	28	380	56.5	212	16.7	35	380	56.5

Technical data for Brake 制动器技术参数

Motor Type 电机型号	Brake Type 制动器型号	Certificate Type 证书类型	Pull in Voltage 吸合电压 (V)	Holding Voltage 保持电压 (V)	Rate Current 额定电流 (A)	Brake Torque 制动力矩 (Nm)
WSG-09	WB4600B	CTE/CE	DC 110	DC 110	2x1.22	≥2x950