



عمران مدرن  
بازار نوین ارتباطات ساختمانی

# نصب آسانسور و تهیه کلیه قطعات

سراسر کشور

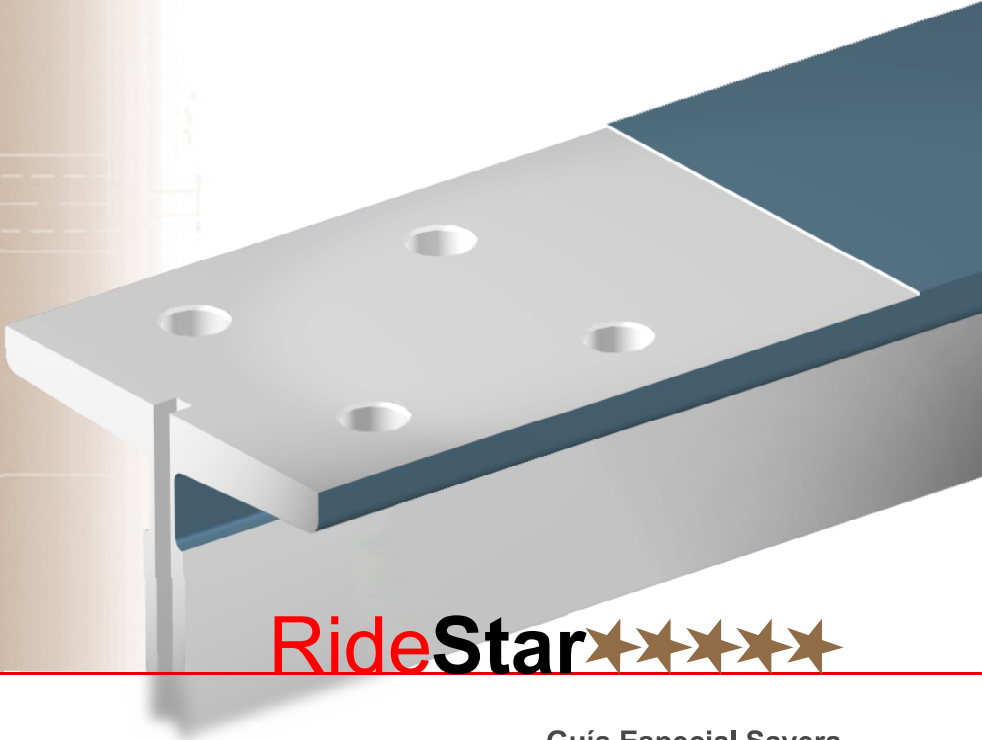


با قیمت استثنایی و اکیپ متخصص

برای مشاوره رایگان تماس بگیرید

02162999675

Guide Rails Guías



RideStar★★★★★

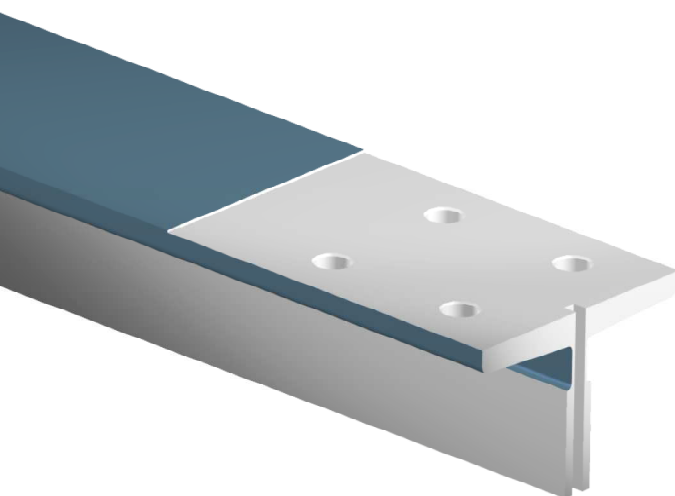
Guía Especial Savera  
Special Savera Guide



*Elevator System Solutions*



# RideStar★★★★★



## Guía Especial SAVERA

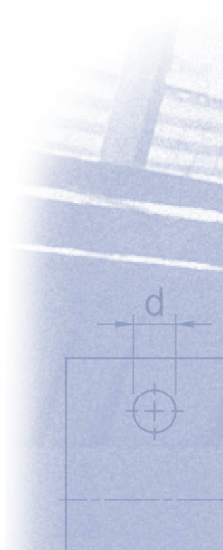
Savera completa con estas guías la gama de **alta calidad**, necesaria para dar total cobertura al mercado de **alta velocidad**. Su uso está especialmente recomendado para ascensores cuya velocidad supere los 4 m/s.

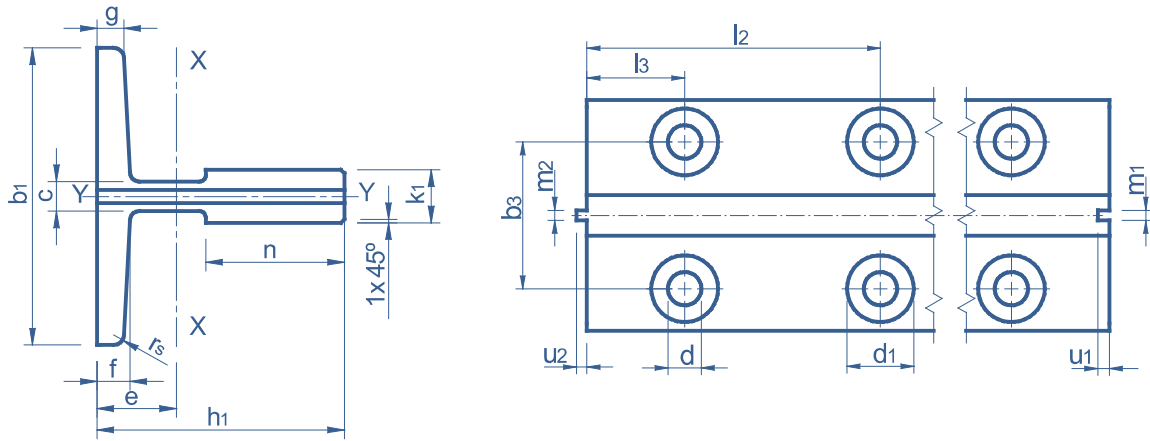
Savera, con un control 100% automático y en línea del enderezado y del mecanizado de los extremos, garantiza las tolerancias exigidas a esta línea de guías, **única en el mercado**.

## Special SAVERA Guide

With this **Star Line**, Savera completes the range of **high quality guides** needed to fully service the **high-speed elevator** market. This line is especially recommended for lifts with speeds above 4 m/s.

With 100% automatic and on-line control in straightening and machining of the ends, Savera is able to guarantee the required tolerances for this guide line - **unique in the market**.





**Dimensiones y distancias entre agujeros, placas y tornillos / Dimensions and distance between holes, fishplates and bolts**

**Dimensiones (mm)**

Dimensions (mm)

|                 | $b_1 \pm 1,50$ | $h_1 \pm 0,75$ | $h \pm 0,03$ | $l \begin{matrix} +3 \\ -0 \end{matrix}$ | $k_1 \begin{matrix} +0,05 \\ -0 \end{matrix}$ | $n \begin{matrix} +3 \\ -0 \end{matrix}$ | c    | $g \pm 0,75$ | $f \pm 0,75$ | $r_s$ | $m_1 \begin{matrix} +0,02 \\ -0 \end{matrix}$ | $m_2 \begin{matrix} +0 \\ -0,02 \end{matrix}$ | $u_1 \pm 0,10$ | $u_2 \pm 0,10$ | Enderezado/Straightness |             |
|-----------------|----------------|----------------|--------------|------------------------------------------|-----------------------------------------------|------------------------------------------|------|--------------|--------------|-------|-----------------------------------------------|-----------------------------------------------|----------------|----------------|-------------------------|-------------|
|                 |                |                |              |                                          |                                               |                                          |      |              |              |       |                                               |                                               |                |                | f/5m max. mm            | f/m max. mm |
| <b>T125/B</b>   | 125            | 82             | 81           | 156                                      | 16                                            | 42                                       | 10   | 9            | 12           | 4     | 6,4                                           | 6,38                                          | 7,14           | 6,35           | 0,5                     | 0,2         |
| <b>T127-2/B</b> | 127            | 89             | 88           | 156                                      | 16                                            | 51                                       | 10   | 12,7         | 15,9         | 5     | 6,4                                           | 6,38                                          | 7,14           | 6,35           | 0,5                     | 0,2         |
| <b>T140-1/B</b> | 140            | 108            | 107          | 193                                      | 19                                            | 51                                       | 12,7 | 12,7         | 15,9         | 5     | 6,4                                           | 6,38                                          | 7,14           | 6,35           | 0,5                     | 0,2         |
| <b>T140-2/B</b> | 140            | 102            | 101          | 193                                      | 28,6                                          | 51                                       | 17,5 | 14,5         | 17,5         | 5     | 6,4                                           | 6,38                                          | 7,14           | 6,35           | 0,5                     | 0,2         |
| <b>T140-3/B</b> | 140            | 127            | 126          | 193                                      | 31,75                                         | 57                                       | 19   | 17,5         | 25,4         | 5     | 6,4                                           | 6,38                                          | 7,14           | 6,35           | 0,5                     | 0,2         |

**Distancia entre agujeros, placas tornillos (mm)**

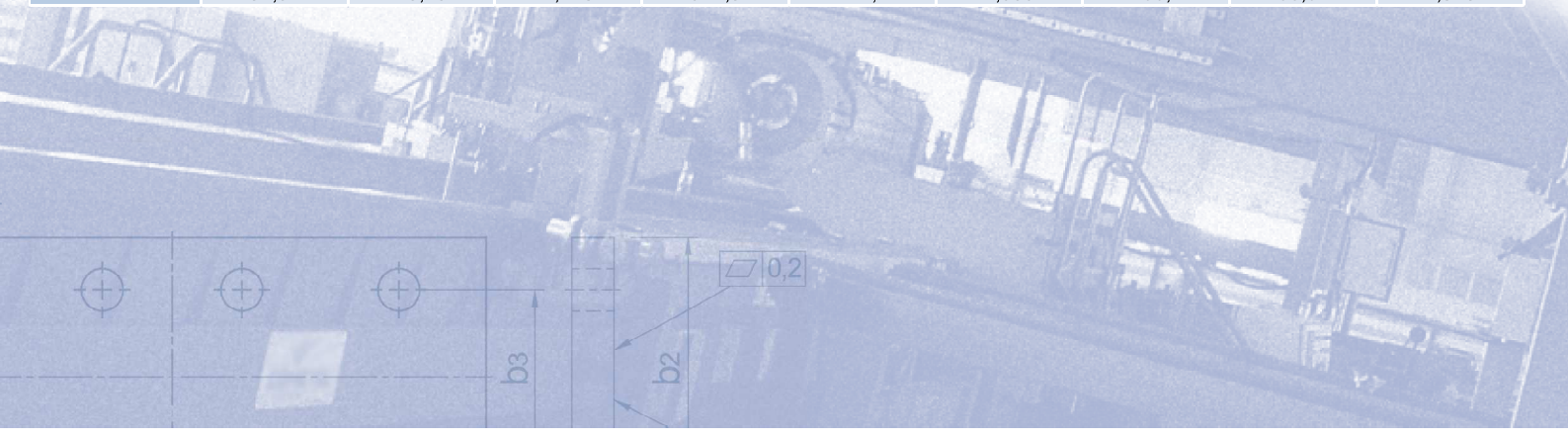
Distance between holes, fishplates and bolts (mm)

|                 | d  | d <sub>1</sub> | b <sub>2</sub> | $b_3 \pm 0,20$ | $l_1 \begin{matrix} +3 \\ -0 \end{matrix}$ | $l_2 \pm 0,20$ | $l_3 \pm 0,20$ | $v \begin{matrix} +3 \\ -0 \end{matrix}$ | Tornillo Bolt | Arandela Washer |
|-----------------|----|----------------|----------------|----------------|--------------------------------------------|----------------|----------------|------------------------------------------|---------------|-----------------|
| <b>T125/B</b>   | 17 | 33             | 130            | 79,4           | 305                                        | 114,3          | 38,1           | 28                                       | M16x60        | A-16            |
| <b>T127-2/B</b> | 17 | 33             | 130            | 79,4           | 305                                        | 114,3          | 38,1           | 28                                       | M16x60        | A-16            |
| <b>T140-1/B</b> | 21 | 40             | 140            | 92,1           | 380                                        | 152,4          | 31,8           | 38                                       | M20x80        | A-20            |
| <b>T140-2/B</b> | 21 | 40             | 140            | 92,1           | 380                                        | 152,4          | 31,8           | 38                                       | M20x80        | A-20            |
| <b>T140-3/B</b> | 21 | 40             | 140            | 92,1           | 380                                        | 152,4          | 31,8           | 48                                       | M20x80        | A-20            |

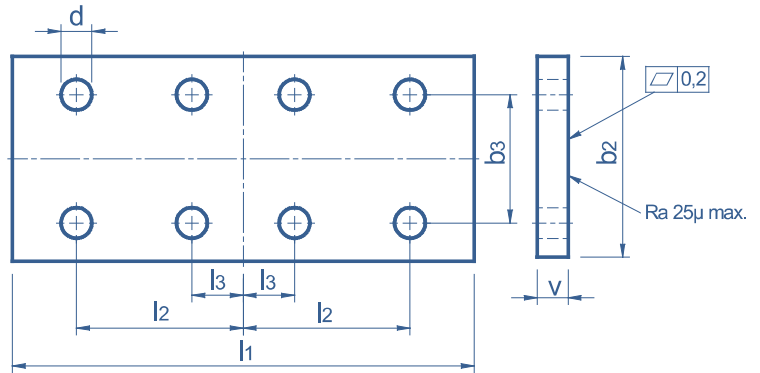
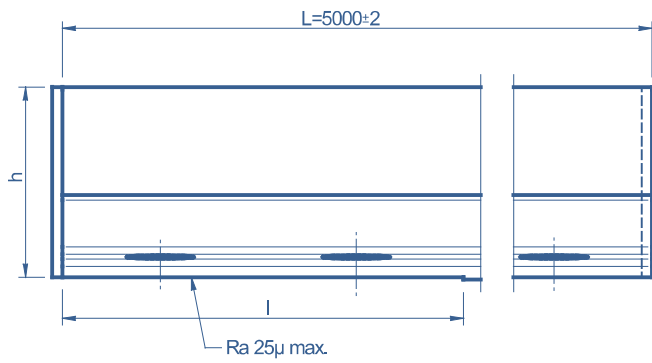
**Características técnicas**

Technical Characteristics

|                 | Sección Section cm 2 | Peso Weight kg/m | e cm  | Ixx cm 4 | Wxx cm 3 | ixx cm | Iyy cm 4 | Wyy cm 3 | iyy cm |
|-----------------|----------------------|------------------|-------|----------|----------|--------|----------|----------|--------|
| <b>T125/B</b>   | 22,82                | 17,91            | 2,43  | 151      | 26,16    | 2,572  | 159,1    | 25,46    | 2,641  |
| <b>T127-2/B</b> | 28,72                | 22,55            | 2,478 | 201,7    | 31,17    | 2,64   | 229,9    | 36,2     | 2,829  |
| <b>T140-1/B</b> | 35,15                | 27,59            | 3,236 | 403,3    | 53,32    | 3,387  | 309,7    | 44,24    | 2,968  |
| <b>T140-2/B</b> | 43,21                | 33,92            | 3,484 | 456,7    | 68,01    | 3,251  | 358,2    | 51,18    | 2,879  |
| <b>T140-3/B</b> | 57,52                | 45,15            | 4,418 | 947,5    | 114,4    | 4,059  | 466,7    | 66,67    | 2,848  |



**Placas especiales en catálogo Placas de Unión.**  
Special fishplates in Fishplates catalogue.



**Placa estándar**  
Standard fishplate

**ISO 7465:2007**

**Características Generales de las Guías**  
General Characteristics of the Guides

| Normas            |
|-------------------|
| Standards         |
| ISO 7465          |
| UNI 7465          |
| ANSI A 17-1       |
| BS 5655           |
| DIN 15311         |
| JIS               |
| AFNOR NF P 82/251 |

**Características Mecánicas / Mechanical Characteristics**

|                             | Carga de rotura   | Límite elástico        | Alargamiento |
|-----------------------------|-------------------|------------------------|--------------|
|                             | Breaking point    | Yield point            | Elongation   |
|                             | N/mm <sup>2</sup> | N/mm <sup>2</sup> min. | %            |
| Hongo ≤16mm<br>Blade ≤ 16mm | 410 -520          | 275                    | ≥ 22         |
| Hongo >16mm<br>Blade >16mm  | 410 -520          | 265                    | ≥ 22         |

**Composición Química**  
Chemical Composition

| C% Max. | Mn% Max. | P% Max. | S% Max. | Si% Max. |
|---------|----------|---------|---------|----------|
| 0,21    | 1,5      | 0,045   | 0,045   | 0,4      |

**Protección Antioxidante (\*)**  
Anti-rust Protection (\*)

| Tipo                      | Espesor   | Exterior        | Interior       |
|---------------------------|-----------|-----------------|----------------|
| Type                      | Thickness | Months outdoors | Months indoors |
| Tectyl 511 M (aceite/oil) | 2 - 10 µ  | •               | 1 - 3          |
| Tectyl 502 C (cera/wax)   | 20 - 30 µ | 0 - 1           | 4 - 8          |
| Tectyl 506 WD (cera/wax)  | Estándar  | 20 - 30 µ       | 1 - 3          |
|                           | Especial  | 40 - 50 µ       | 3 - 6          |
|                           |           | 12 - 36         |                |

(\*)Datos orientativos que variarán en función de la humedad y salinidad del ambiente.

(\*)Orientative data with change according to environment humidity and salinity.


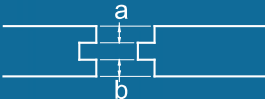

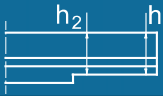



**Pesos (kg) y Empaquetado / Weights (kg) and Packing**

| Código   | Peso/guía    | Peso/guía con embalaje | Peso/guía con accesorios y embalaje | Nº guías/paquete        | Nº guías por contenedor de 20 pies |                     |
|----------|--------------|------------------------|-------------------------------------|-------------------------|------------------------------------|---------------------|
|          |              |                        |                                     |                         | Con accesorios                     | Sin accesorios      |
| Code     | Weight/guide | Weight/packed guide    | Weight/packed guide and accessories | No.of guides per bundle | With accessories                   | Without accessories |
| T125/B   | 89,55        | 90,55                  | 97,83                               | 10                      | 220                                | 230                 |
| T127-2/B | 112,75       | 113,75                 | 121,03                              | 10                      | 170                                | 190                 |
| T140-1/B | 137,95       | 139,95                 | 153,13                              | 5                       | 135                                | 150                 |
| T140-2/B | 169,6        | 171,6                  | 184,78                              | 5                       | 115                                | 125                 |
| T140-3/B | 225,75       | 227,75                 | 243,57                              | 5                       | 85                                 | 90                  |

**Eliminación Antioxidante / Anti-rust Protection Removal**

| Producto              | Solubilidad en el agua (% en peso) |
|-----------------------|------------------------------------|
| Product               | Solubility in water (% weight)     |
| Disolvente Tectyl TFR | 50                                 |
| Tectyl Solvent TFR    |                                    |



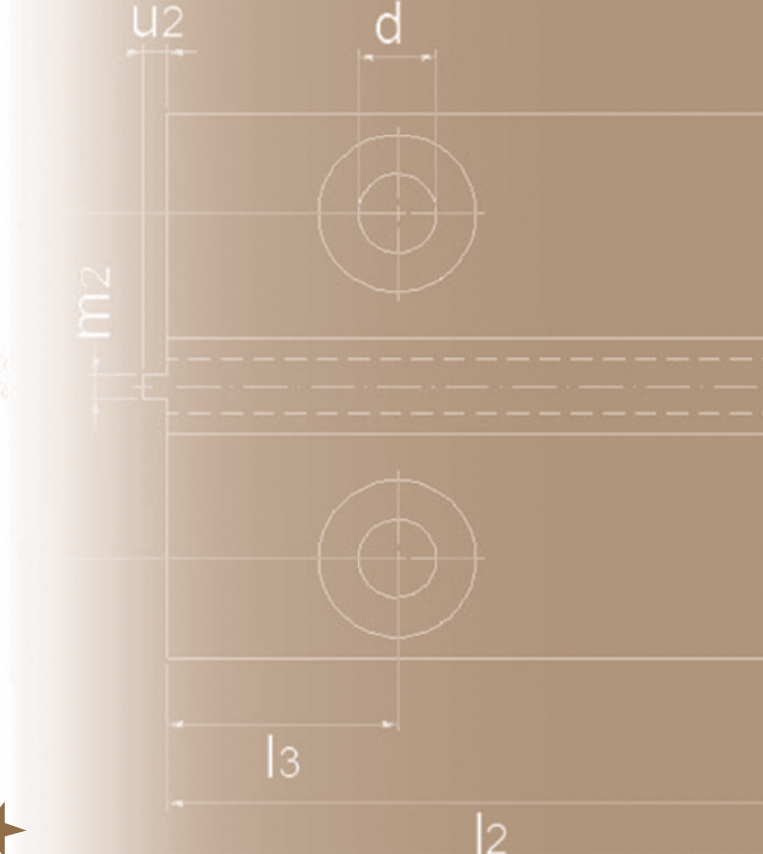
|                                                                        | Parámetro<br>Parameter                                                              | Cepillado<br>Machined<br>Tolerancia/Tolerance                                            |
|------------------------------------------------------------------------|-------------------------------------------------------------------------------------|------------------------------------------------------------------------------------------|
| <b>Enderezado</b><br>Straightening                                     |    | <b>Datos indicados en tabla de "Dimensiones"</b><br>Data indicated in "Dimensions" table |
| <b>Centrado</b><br>Centering                                           |    | a - b<br>±0,03 mm                                                                        |
| <b>Altura guía</b><br>Guide height                                     |   | h<br>±0,03 mm                                                                            |
| <b>Paralelismo planeado</b><br>Parallelism base                        |  | h - h <sub>2</sub><br>±0,05 mm                                                           |
| <b>Holgura máxima macho - hembra</b><br>Maximum clearance key - keyway |  | E max.<br>0,06 mm                                                                        |
| <b>Rugosidad</b><br>Roughness                                          |                                                                                     | Ra Long.<br>1,6 μ max.<br>Ra Transv.<br>0,8 - 3,2 μ                                      |
| <b>Reviro</b><br>Twist                                                 |  | R max<br>1 mm / 5 m                                                                      |
| <b>Escuadra</b><br>Angle                                               |  | s max.<br>±0,05 mm<br>sq1<br>±0,10 mm<br>sq2<br>±0,05 mm                                 |

#### Características / Characteristics

| Suministro<br>Supply                                                                                                                                                                                                                        | Protección<br>Protection                                                                                                                    | Long.<br>Length | Placas<br>Fishplates |
|---------------------------------------------------------------------------------------------------------------------------------------------------------------------------------------------------------------------------------------------|---------------------------------------------------------------------------------------------------------------------------------------------|-----------------|----------------------|
| <b>Embalaje</b><br><ul style="list-style-type: none"> <li>• Chapa con tornillos</li> <li>• P.E.Foam</li> <li>• 4 maderas en parte inferior</li> <li>• Capuchones</li> <li>• Separadores</li> </ul> <b>Opcional</b><br>-Protector envolvente | <ul style="list-style-type: none"> <li>• Pintura azul</li> <li>• Tectyl 506 WD</li> </ul> <b>Opcional</b><br>-Tectyl 502 C<br>-Tectyl 511 M | 5 m.            | Placa estándar       |
| <b>Packing</b><br><ul style="list-style-type: none"> <li>• Steel sheet with bolts</li> <li>• P.E. Foam</li> <li>• 4 wooden blocks at the bottom</li> <li>• Caps</li> <li>• Spacers</li> </ul> <b>Optional</b><br>-Cover protection          | <ul style="list-style-type: none"> <li>• Blue paint</li> <li>• Tectyl 506 WD</li> </ul> <b>Options</b><br>-Tectyl 502 C<br>-Tectyl 511 M    | 5 m.            | Standard fishplate   |

RideStar★★★★★

Guía Especial Savera  
Special Savera Guide



Rev. 01/16 - ISO 7465:2007  
Actualización vigente disponible en : [www.saveragroup.com](http://www.saveragroup.com)  
Current updates available on : [www.saveragroup.com](http://www.saveragroup.com)

Bº de Zalain 31780 Bera - Navarra . Spain  
Tel. +34 948 626 900 - Fax +34 948 626 904  
[savera@saveragroup.com](mailto:savera@saveragroup.com)



*Elevator System Solutions*