



عمران مدرن
بازار نوین ارتباطات ساختمانی

نصب آسانسور و تهیه کلیه قطعات

سراسر کشور



با قیمت استثنایی و اکیپ متخصص

برای مشاوره رایگان تماس بگیرید

02162999675

电梯导轨、连接板、压导板、对重块专业制造商
Elevator Guide Rail, Fishplate, Rail clip, Elevator Counterweight
---Professional Manufacturer



美斐电梯导轨
MOFEEL ELEVATOR GUIDE RAIL



厂址：江苏省张家港市杨舍镇东莱东七公路
电话：0086-512-55968225 58159822
传真：0086-512-58159122

ADD: Dongqi Road, Donglai, Yangshe Town, Zhangjiagang City,
JiangSu Province, China
TEL: 0086-512-58159822 55968225
FAX: 0086-512-58159122
E-Mail: sales@mofeelevator.com
export@mofeelevator.com
WEB: <http://www.mofeelevator.com>
<http://www.mofeel-elevator.com>
<http://mofeel.en.alibaba.com>

COMPANY PROFILE

企业介绍

张家港美斐电梯导轨有限公司，主要生产各种型号电梯导轨，连接板，压导板，对重块等电梯配件。

厂址位于全国卫生文明城市江苏省张家港市，临近长江码头、保税区物流园，地理位置优越，交通便利。本厂积极引进新技术、不仅有丰富的原辅材料来源，而且所有原料的质量在轧制、冷拉等生产的全过程得到严格的控制，从而保证了电梯导轨的质量。

本公司以创新产品为目标、致力为客户提供一流产品和一流服务。以新的姿态向国内外客户提供品质上乘的Mofeel品牌各种电梯导轨。"质量是企业的生命"是美斐的一贯宗旨。从诞生之日起就严格按照ISO9001:2008质量管理体系运行，历年省质量技术监督检验合格，保证产品质量持续稳定的提高、更多地满足顾客的期望、增强市场竞争力。

本厂生产的T型系列导轨等部件秉承行业标准，同时按照客户的要求生产、加工非标准产品。

展望未来，为适应市场发展和需要，公司进一步提高电梯导轨高技术质量能力，成为一家高素质企业，将一如继往地坚持"精益求精"的企业精神，不懈努力，为我国电梯导轨事业多作贡献。

随着我公司产品"保证质量，坚持微利，以量取胜"的经营理念不断得到市场认可，Mofeel品牌导轨在国内外市场的占有率不断提高。除了与国内几大电梯厂家建立了稳定供应关系，我公司产品已出口到全球三十多个国家，每月有稳定贸易往来的有二十多个国家。同时，为满足不断提高的销量，我公司在2012年又新增一大批生产设备，使产能比原来增加一倍，达到年生产能力30000吨以上，使我公司成为业内名副其实的中型规模企业。

欢迎海内外客户光临指导，洽谈合作，共创"双赢"美好前景!

BRIEF INTRODUCTION

Zhangjiagang Mofeel Elevator Guide Rail Co.,Ltd is a professional manufacturer for producing all types of guide rails, fishplates, rail clips and elevator counterweight. Mideast, Southeast Asia, North America and South America are our main markets.

Our factory is located in the Yangzi River Delta, beside the international trade port of Zhangjiagang and near the eastern entrance of Zhangjiagang Free Trade Zone in China.

We mainly produce different types of elevator guide rails, such as T45/A, T50/A, T70/A, T70-1/B, T75-3/B, T78/B, T82/B, T89/B, T90/B, T114/B, T127-2/B, T127-1/B, T140-1/B, T140-2/B and T140-3/B. If you want non-standard products, we will also be able to produce for you with your detail specifications. Moreover, we provide accessories for them, such as fish plates, clips and screws.

Our manufacture site is always eager to bring new technology to our products. We not only source abundant raw materials, but also we execute strict quality control during rolling and hard-drawn process, in order to ensure high quality of hard-drawn elevator guide rails.

Regarding creativity as our top target, we are always willing to provide excellent products and services for our customers all over the world. It is our job to provide you with surpassing Mofeel elevator guide rails. As our slogan is "Quality is our life", we have passed ISO9001:2008 and our products follow ISO7645:2007. We have passed the evaluation of several domestic quality certifications, which ensures us to meet customers' different needs.

Looking into bright future perspective, in order to catch market development opportunities, we will definitely keep on improving our ability of providing high quality products as usual.

Finally, we are looking forward to establishing business relationship with you in the near future and making a win-win result for both of us.



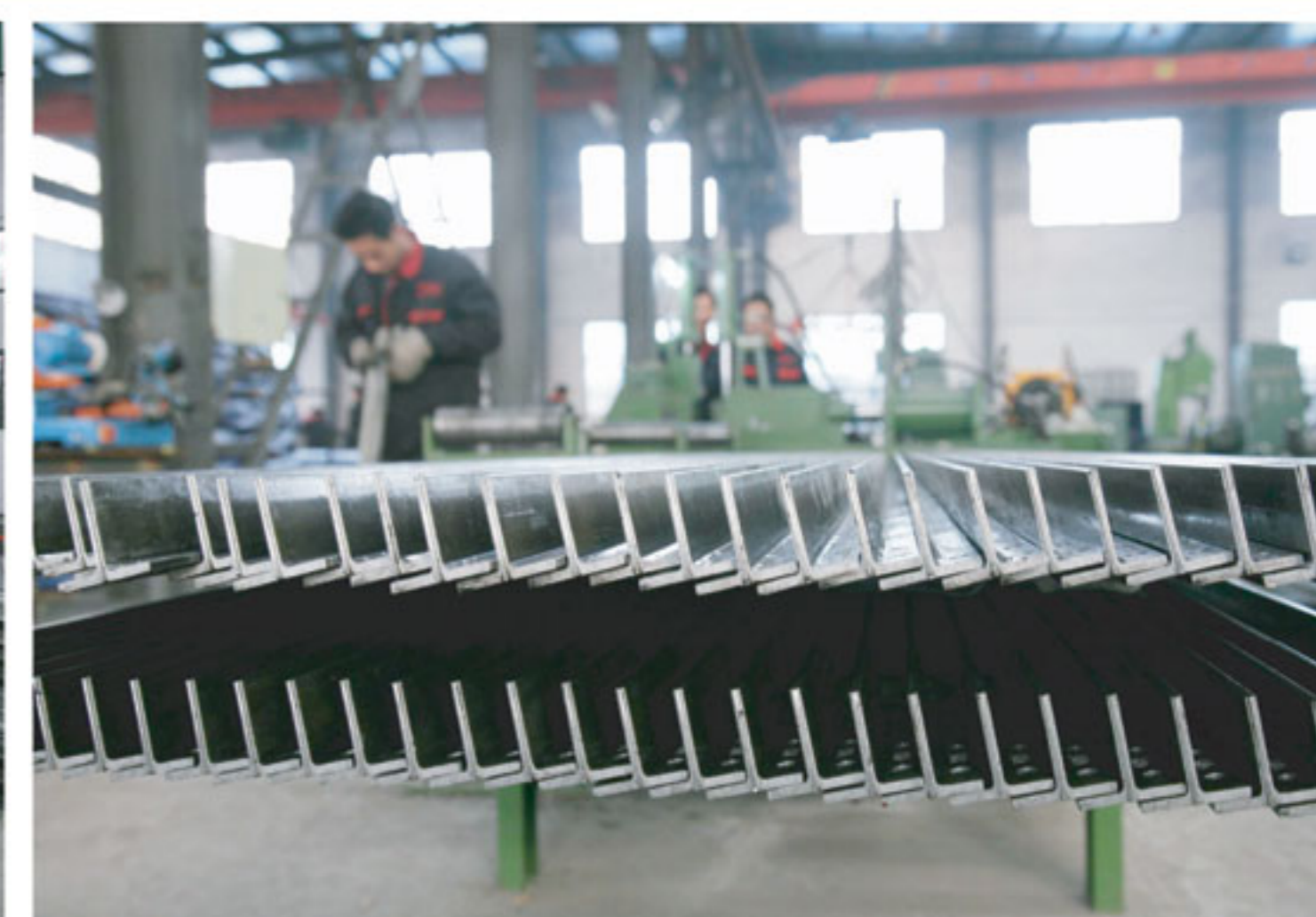
EQUIPMENT & TECHNOLOGY

装备&技术



我公司拥有先进的生产设备及经验丰富的技术团队，厂区占地面积达到8000平方，目前拥有三条自动化程度较高的电梯导轨生产线，主要生产管理团队人员大部分拥有5-12年的本行业工作经验，我们相信能为客户稳定生产出质量保证的电梯导轨产品。

Our factory has advanced production equipment, experienced technical team and perfect quality control system. The working plant covers an area of 8,000 square meters. We now have 3 production lines of elevator guide rails with higher automatic level, most of the main factory managers all have 5~12 years experience in this field. We do believe that we can always provide customers elevator parts with high quality.



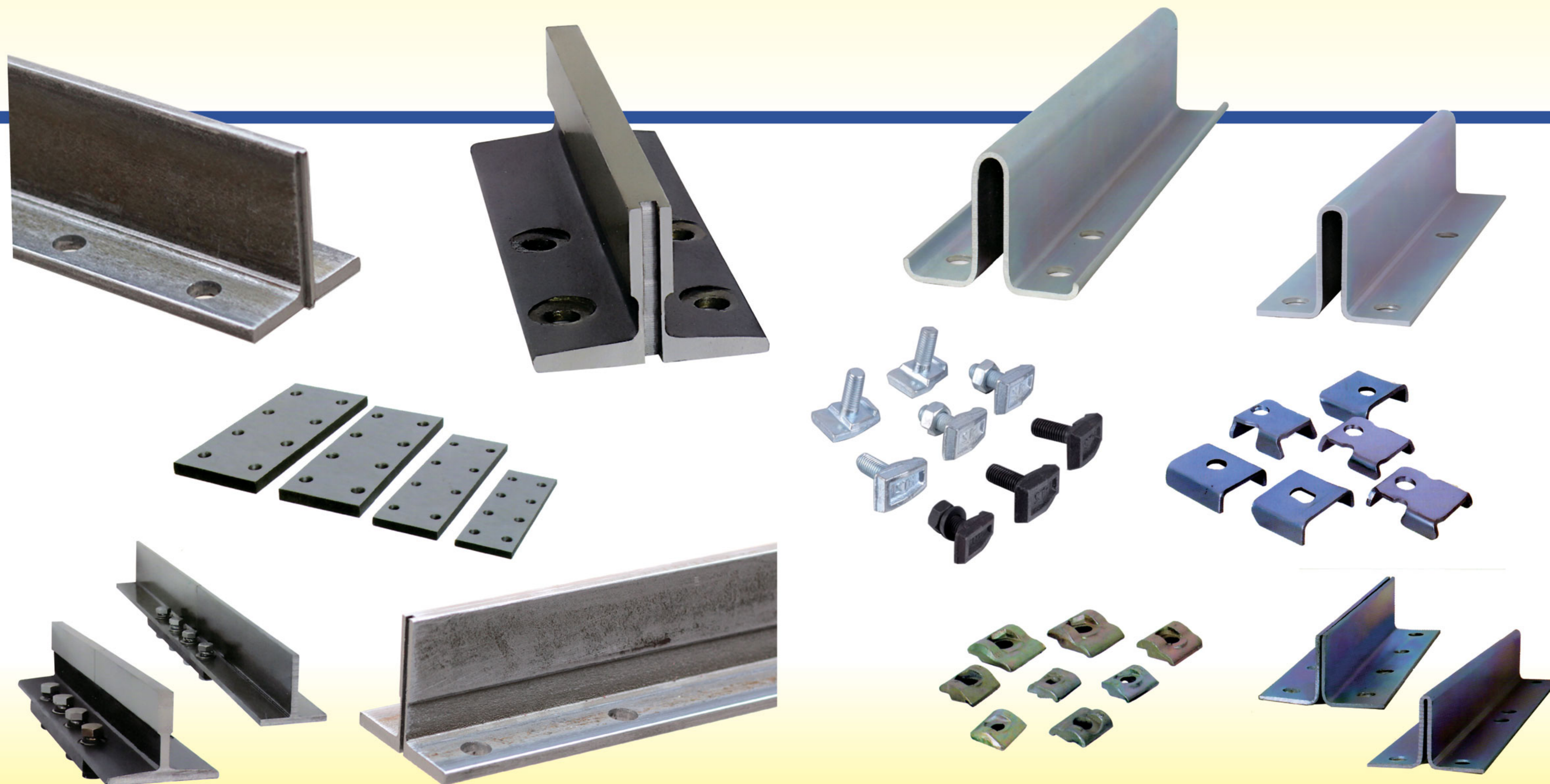


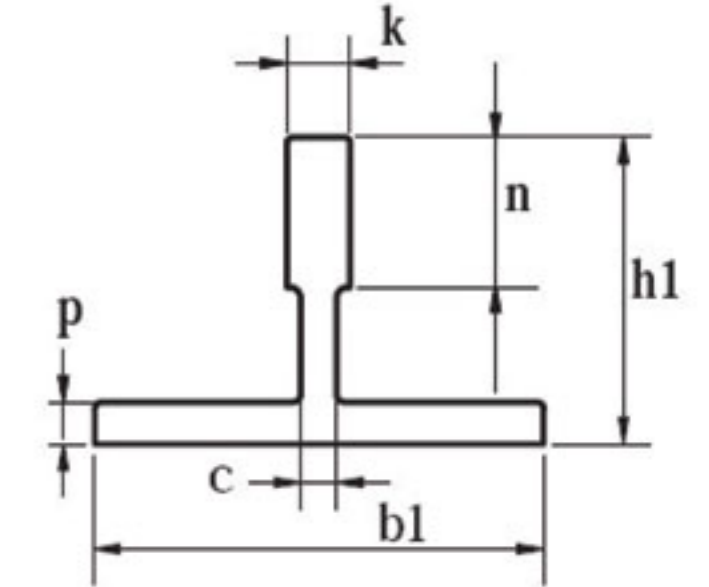
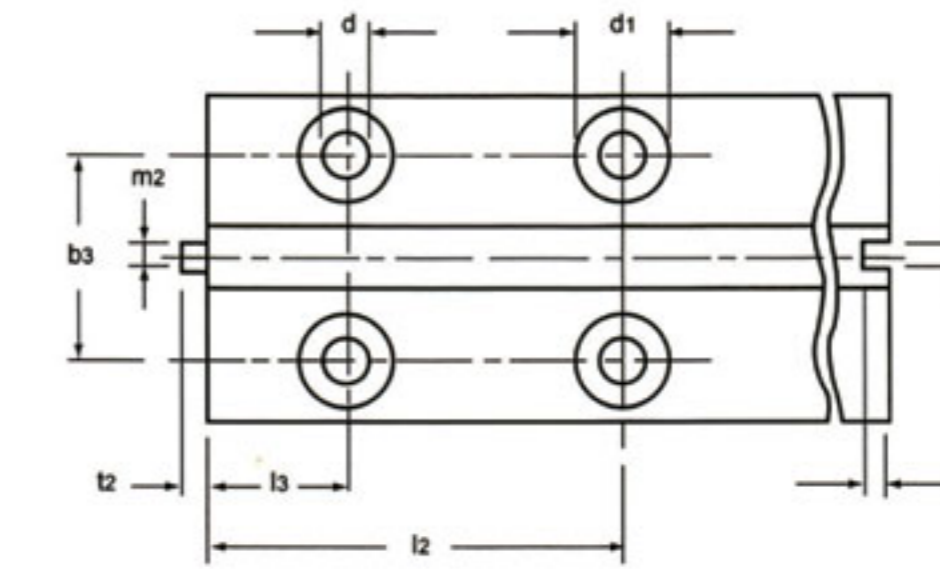
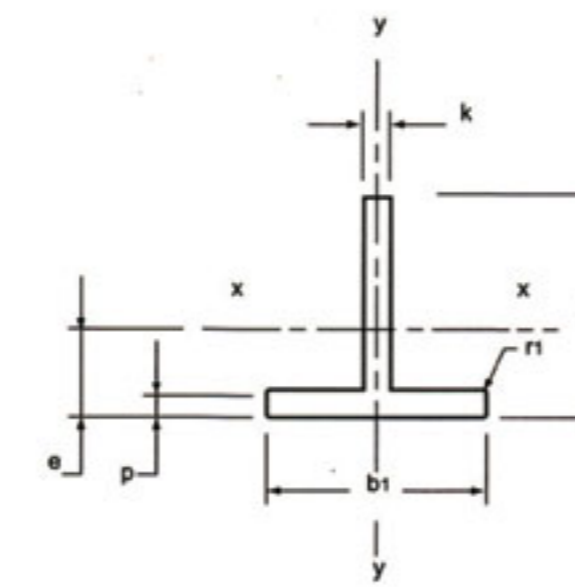
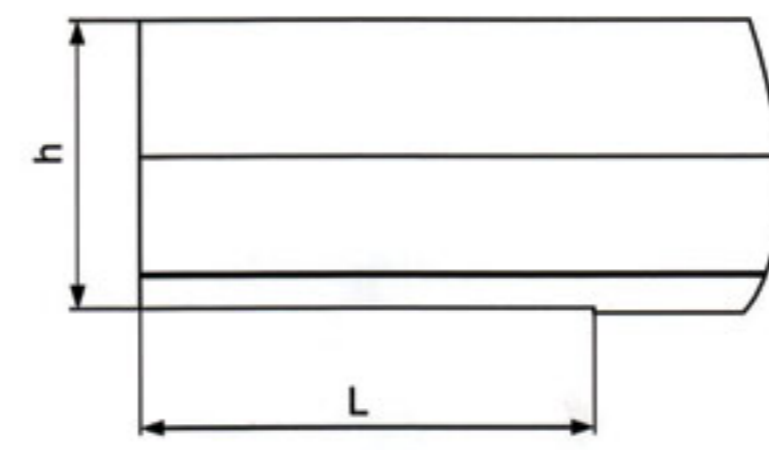
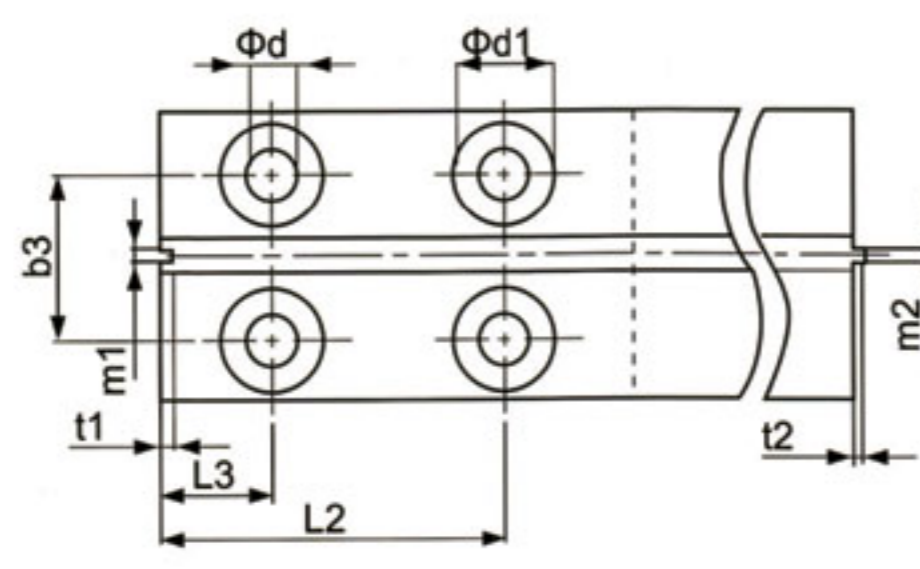
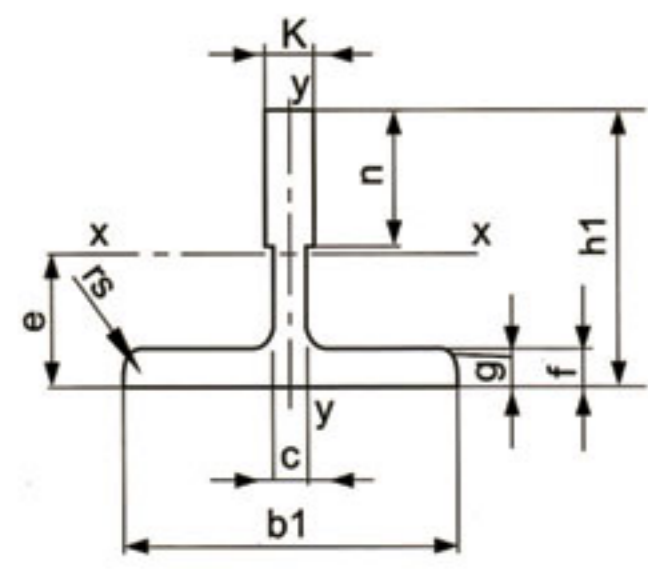
MOFEEL
Elevator System Solutions

OUR PRODUCTS 我们的产品

坚持产品质量第一，客户满意的宗旨，不断提高产品质量，优化产品结构。公司产品已通过ISO9001:2008质量审核认证，并严格按照ISO7465:2007标准生产制造。采用国际先进技术，确保产品品质，使公司产品满足全球客户需求。

We always insist on "Quality and customer satisfaction first", constantly improve the products' quality and optimize product structure. Mofeel products have awarded ISO 9001:2008, and produced strictly according to ISO7465:2007 standard. Applying international advanced technology, ensuring products' high quality, satisfying worldwide customers' needs.





T型导轨加工图形 Drawings of Machined Guide Rail

冷拔导轨加工图形 Drawings of Cold Drawn Guide Rail

T型导轨尺寸 Dimensions of Hollow Guide Rail

COD.ISO	b1	h1	h	k	n	c	g	f	rs	m1	m2	t1	t2	l	d	d1	b3	l2	l3
	TOLERANCES																		
	±1.5	±0.75	0.1 ±0.75	+0.1 0 -0.03	+3 0		±0.75	±0.75		+0.06 0 +0.03	+0.03 0 -0.03	±0.1	±0.1	+3 0				±0.2	±0.2
T70-1/B	70	65	64	9	34	6	6	8	1.5	3	2.95	3.5	3	128	13	26	42	105	25
T75-3/B	75	62	61	10	30	8	7	9	3	3	2.95	3.5	3	123	13	26	43	90	30
T78/B	78	56	55	10	26	7	6	8.5	3	3	2.95	3.5	3	123	13	26	43	90	30
T82/B	82.5	68.25	66.6	9	25.4	7.5	6	8.25	3	3	2.95	3.5	3	111	13	26	50.8	81	27
T82-3/B	82	62	61	15.88	30	10	7	10	3	3	2.95	3.5	3	156	13	26	50.8	114.3	38.1
T89/B	89	62	61	15.88	33.4	10	7.9	11.1	3	6.4	6.37	7.14	6.35	156	13	26	57.2	114.3	38.1
T89-1B	89	62	61	15.88	33.4	10	7	10	3	4	3.96	4.5	4	156	13	26	57.2	114.3	38.1
T90/B	90	75	74	16	42	10	8	10	4	6.4	6.37	7.14	6.35	156	13	26	57.2	114.3	38.1
T114/B	114	89	88	16	38	9.5	7.9	11.1	4	6.4	6.37	7.14	6.35	156	17	33	74	114.3	38.1
T127-1B	127	88.9	88	15.88	44.5	10	7.9	11.1	4	6.4	6.37	7.14	6.35	156	17	33	79.4	114.3	38.1
T127-2/B	127	88.9	88	15.88	50.8	9.5	12.7	15.9	5	6.4	6.37	7.14	6.35	156	17	33	79.4	114.3	38.1

T型导轨技术参数 Physical Properties of Machined Guide Rail

COD.ISO	S cm ²	q ₁ Kg/m	e cm	I _{xx} cm ⁴	W _{xx} cm ³	i _{xx} cm	I _{yy} cm ⁴	W _{yy} cm ³	i _{yy} cm
T70-1/B	9.51	7.47	2.04	41.3	9.24	2.09	18.65	5.35	1.4
T75-3/B	10.99	8.63	1.86	40.35	9.29	1.92	26.49	7.06	1.55
T78/B	9.84	7.72	1.65	29.9	7.56	1.47	26.1	6.71	1.63
T82/B	10.9	8.55	1.98	49.4	10.2	2.13	30.5	7.4	1.67
T89/B	15.7	12.3	2.09	59.7	14.5	1.98	53	11.9	1.84
T89-1B	15.7	11	2.09	59.7	14.5	1.98	53	11.9	1.84
T90/B	17.2	13.55	2.65	102.2	20.9	2.5	52	11.9	1.76
T114/B	20.8	16.37	2.87	179	29.7	2.93	108	19.1	2.28
T127-1B	22.6	17.77	2.75	187	30.4	2.91	151.5	24	2.65
T127-2/B	28.9	22.48	2.46	200	31	2.68	235	36.8	2.86

冷拔导轨尺寸 Dimensions of Cold Drawn Guide Rail

COD.ISO	b1	h1	k	p	rs	m1	m2	t1	t2	d	b3	l2	l3
	TOLERANCES												
	±1	±0.2	±0.15	±0.5		+0.06 0 +0.03	0 -0.6 (0) -0.03	±0.1	±0.1			±0.2	±0.2
T45/A	45	45	5	5	1	2	1.95	2.5	2	9	25	65	15
T50/A	50	50	5	5	1	2	1.95	2.5	2	9	30	75	25

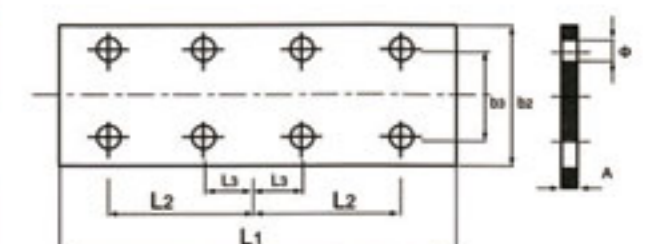
COD.ISO	b1	h1	k	p	rs	m1	m2	t1	t2	d	b3	l2	l3
	TOLERANCES												
	±1.5	±0.1	±0.1 0	±0.75		+0.06 0 +0.03	0 -0.06 (0) -0.03	±0.1	±0.1			±0.2	±0.2
T70/A	70	65	9	7	1.5	3		3.5	3	13	42	105	25

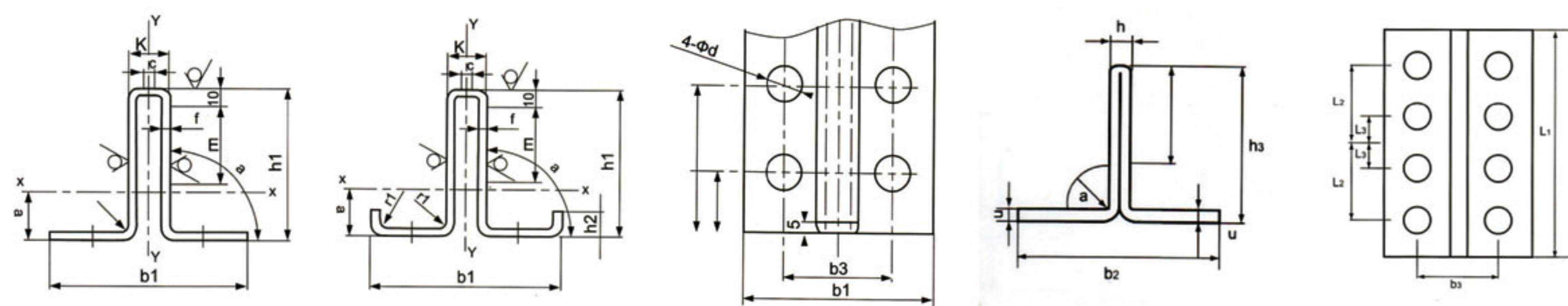
COD.ISO	S cm ²	q ₁ Kg/m	e cm	I _{xx} cm ⁴	W _{xx} cm ³	i _{xx} cm	I _{yy} cm ⁴	W _{yy} cm ³	i _{yy} cm
T45/A	4.25	3.34	1.31	8.08	2.53	1.38	3.84	1.71	0.95
T50/A	4.75	3.73	1.43	11.24	3.15	1.54	5.25	2.1	1.05
T70/A	9.51	7.47	2.04	41.3	9.24	2.09	18.65	5.35	1.4

连接板图形 Drawings of Fishplate

连接板尺寸 Dimensions of Fishplate and Joint Holes

COD.ISO	d(mm)	b ₂ (mm)	b ₃ (mm)	L ₁ (mm)	L ₂ (mm)	L ₃ (mm)	A(mm)	weight kg/pc	boit size
	TOLERANCES								
		±1.5	±0.2	±1.5	±0.2	±0.2	±0.2		
T70	13	70	42	250	105	25	10	1.33	M12×40
T75,T78	10	75	43	240	90	30	10	1.33	M12×40
T82	13	80	50.8	216	81	27	10	1.33	M12×40
T89,T90,T89-1	13	90	57.2	305	114.3	38.1	13	2.7	M12×40
T114B	17	120	70	305	114.3	38.1	17	5	M16×60
T127-1,T127-2	17	130	79.4	305	114.3	38.1	18	6	M16×60
T45	9	50	25	160	65	15	8	0.5	M8×25
T50	9	50	30	200	75	25	8	0.6	M8×25





空心导轨加工图形 Drawings of Hollow Guide Rail

空心导轨尺寸 Dimensions of Hollow Guide Rail

项目Project 数值Size	b1	c	f	h ₁	h ₂	k	m	r ₁	a	b ₃	l ₂	l ₃	d
公差Tolerance 型号Model	±1	-	+0.2 -0.15	+0 -0.5	-	±0.4	-	-	+60° +20°	±0.5	±0.5	±0.5	-
TK3	75	-	2	55±0.2	-	10±0.2	20	5	90°	43	90	30	10
TK5	87	≥1.8	2.75	60	-	16.4	25	3	90°	50	180	20	14
公差Tolerance	±1	-		±0.3	±1	±0.45	-	-	-	±0.5	±0.5	±0.5	-
TK3A	78	≥1.8	2	60	10	16.4	25	3	90°	45	75	25	11.5
TK5A	78	≥1.8	2.75	60	10	16.4	25	3	90°	45	75	25	11.5

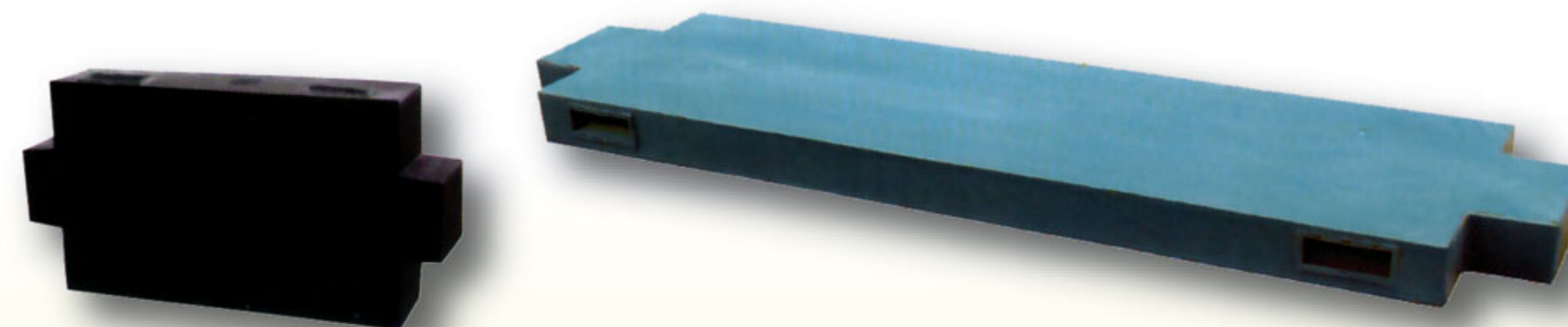
空心导轨技术参数 Physical Properties of Hollow Guide Rail

项目Project 数值Size	s	q ₁	e	I _{xx}	W _{xx}	i _{xx}	I _{yy}	W _{yy}	i _{yy}
公差Tolerance 型号Model	cm ²	Kg/m	cm	cm ⁴	cm ³	cm	cm ⁴	cm ³	cm
TK3	3.48	2.5	1.86	11.89	3.27	1.85	6.47	1.73	1.36
TK5	5.86	4	2.15	26.9	6.99	2.08	18.61	4.28	1.73
TK3A	4.36	3.4	2.18	18.09	4.74	2.04	13.62	3.49	1.77
TK5A	6.17	4	2.14	24.33	6.3	1.99	18.78	4.82	1.74

连接件与导轨连接孔位尺寸参数 Dimensions Fishplate of Sectional Area & Joint Hole of Hollow Guide Rail

项目Project 数值Size	b ₂	h ₃	h	u	b ₃	L ₁	L ₂	L ₃	Φd	bolt
公差Tolerance 型号Model		±1	±0.2		±0.5	±1.5	±0.5	±0.3		
TK3	72	40	6.0	2.75	43	220	90	30	10	M8×25
TK5	88	59	10.0	4	50	400	180	20	14	M12×35
TK3A	78	50	12.0	2.75	45	200	75	25	11.5	M10×35
TK5A	78	50	10.0	4	45	200	75	25	11.5	M10×35

ELEVATOR COUNTERWEIGHT
电梯对重块



OUR TEAM
我们的团队



Sales & Service Manage Team



Factory Manage Team



Our Team